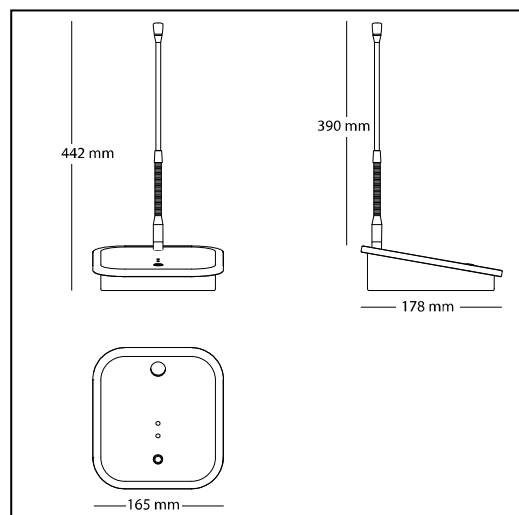


DBE01

Programmable "One Key" fully monitored desk call station
Consolle microfonica completamente monitorata "ad un tasto" programmabile



Fully monitored desk call station according to EN54-16. Software programmable "Talk" key, "Busy" and "System" LEDs, dynamic gooseneck microphone, automatic compressor, level adjustment trimmer
Wiring by RJ45 connector and CAT5 Cable.

Power supply from RJ45 cable or 24Vdc local adaptor.

Consolle microfonica completamente monitorata secondo normativa EN5 4-16. Completa di microfono gooseneck dinamico. Tasto "Talk" completamente programmabile da software, led "Busy" e "System", compressore automatico, trimmer di regolazione livello.

Connessione mediante connettore RJ45 e cavo CAT5.

Alimentazione tramite cavo RJ45 da centrale o tramite alimentatore locale 24 Vdc.

Model:	DBE01
Sensitivity:	-55dB ± 3dB
Frequency Responce:	70Hz ÷ 17KHz (-3dB)
Power Supply:	from RJ45 cable or 24Vdc local adaptor (optional)
Gooseneck length:	390 mm
Input/Output Connectors:	2 x RJ45
Dimensions (W x H x D):	165 x 178 x 442 mm
Weight:	1.1 Kg