

# WM700

## Wireless Microphone System

### USER'S MANUAL



ITALIANO  
ENGLISH

DISPOSAL OF OLD ELECTRICAL & ELECTRONIC EQUIPMENT .....	3
SAFETY INSTRUCTIONS .....	3
IN CASE OF FAULT .....	4
PACKAGING, SHIPPING AND COMPLAINT .....	4
WARRANTY AND PRODUCTS RETURN .....	4
MAINTENANCE AND DISCLAIMER .....	4
POWER SUPPLY.....	4
USER’S WARNINGS AND CE CONFORMITY .....	5
INTRODUCTION .....	6
DESCRIPTION .....	6
WM700D RECEIVER .....	6
WM7M HANDHELD TRANSMITTER .....	7
WM7H BODYPACK TRANSMITTER.....	7
TECHNICAL SPECIFICATIONS.....	8

## DISPOSAL OF OLD ELECTRICAL & ELECTRONIC EQUIPMENT



This marking shown on the product or its literature, indicates that it should not be disposed with other household wastes at the end of its working life. To prevent possible harm to the environment or human health from uncontrolled waste disposal, please separate this from other types of wastes and recycle it responsibly to promote the sustainable reuse of material resources.

Household users should contact either the retailer where they purchased this product, or their local government office, for details of where and how they can take this item for environmentally safe recycling. Business users should contact their supplier and check the terms and conditions of the purchase contract. This product should not be mixed with other commercial wastes for disposal.

## SAFETY INSTRUCTIONS

- **CAUTION** - Before using this product read carefully the following safety instructions. Take a look of this manual entirely and preserve it for future reference. When using any electric product, basic precautions should always be taken, including the following:
- To reduce the risk, close supervision is necessary when the product is used near children.
- Protect the apparatus from atmospheric agents and keep it away from water, rain and high humidity places.
- This product should be site away from heat sources such as radiators, lamps and any other device that generate heat.
- Care should be taken so that objects and liquids do not go inside the product.
- The product should be connected to a power supply only of the type described on the operating instructions or as marked on the product.

## IN CASE OF FAULT

- In case of fault or maintenance this product should be inspected only by qualified service personnel when:
  - Liquids have spilled inside the product.

- The product has fallen and been damaged.
- The product does not appear to operate normally or exhibits a marked change in performance.
- Do not operate on the product, it has no user-serviceable parts inside.
- Refer servicing to an authorized maintenance centre.

## **PACKAGING, SHIPPING AND COMPLAINT**

- This unit package has been submitted to ISTA 1A integrity tests. We suggest you control the unit conditions immediately after unpacking it.
- If any damage is found, immediately advise the dealer. Keep all unit packaging parts to allow inspection.
- Proel is not responsible for any damage that occurs during shipment.
- Products are sold “delivered ex warehouse” and shipment is at charge and risk of the buyer.
- Possible damages to unit should be immediately notified to forwarder. Each complaint for manumitted package should be done within eight days from product receipt.

## **WARRANTY AND PRODUCTS RETURN**

- Proel products have operating warranty and comply their specifications, as stated by manufacturer.
- Proel warrants all materials, workmanship and proper operation of this product for a period of two years from the original date of purchase. If any defects are found in the materials or workmanship or if the product fails to function properly during the applicable warranty period, the owner should inform about these defects the dealer or the distributor, providing receipt or invoice of date of purchase and defect detailed description. This warranty does not extend to damage resulting from improper installation, misuse, neglect or abuse. Proel S.p.A. will verify damage on returned units, and when the unit has been properly used and warranty is still valid, then the unit will be replaced or repaired. Proel S.p.A. is not responsible for any "direct damage" or "indirect damage" caused by product defectiveness.

## **MAINTENANCE AND DISCLAIMER**

- Clean only with dry cloth.
- Proel products have been expressly designed for audio application, with signals in audio range (20Hz to 20kHz). Proel has no liability for damages caused in case of lack of maintenance, modifications, improper use or improper installation non-applying safety instructions.
- Proel S.p.A. reserves the right to change these specifications at any time without notice.
- Proel S.p.A. declines any liability for damages to objects or persons caused by lacks of maintenance, improper use, installation not performed with safety precautions and at the state of the art.

## **POWER SUPPLY**

- This apparatus should only be connected to power source type specified in this owner’s manual or on the unit.
- If the supplied AC power cable plug is different from the wall socket, please contact an electrician to change the AC power plug.
- Hold the plug and the wall outlet while disconnecting the unit from AC power.
- If the unit will not be used for a long period of time, please unplug the power cord from AC power outlet.
- To avoid unit power cord damage, please do not strain the AC power cable and do not bundle it.
- In order to avoid unit power cord damage, please ensure that the power cord is not stepped on or pinched by heavy objects.

## USER'S WARNINGS AND CE CONFORMITY

- This equipment may be capable of operating on some frequencies not authorized in your country. Please contact your national authority to obtain information on authorized frequencies for wireless microphone products in your region.
- The product is in compliance with 2014 / 30/ EU EMC Directive & 2014 /35 / EU LVD Directive.
- PROEL S.p.A hereby, declares that this wireless microphone system complies with the essential requirements of Radio Equipment Directive (RED 2014 / 53 / EU).
- The full and detailed declaration of conformity can be downloaded from the web site:  
[www.eikon-audio.com](http://www.eikon-audio.com)

<b>TABLE OF THE AUTHORIZED FREQUENCIES FOR THE WM700D WIRELESS MICROPHONE SYSTEM IN EUROPE</b>	
COUNTRY CODE	WM7H / WM7M TRANSMITTING FREQUENCIES 823 ~ 832 Mhz
CZ DK EE DE HU PL FI SE IS FR BE NL CH	Duplex Gap License free
HR AT GB ES PT IT SK LT EL CY NO BG RO SI MT UA	Individual license required *
RU TR LV IE LU BY	NOT IMPLEMENTED *
IN ALL COUNTRIES THE USE OF WIRELESS MICROPHONES SYSTEMS IS SUBJECT TO ANY TELEVISION AND BROADCAST TRANSMISSION	
* CONSULT LOCAL OR NATIONAL RADIO SPECTRUM AUTHORITIES FOR INFORMATION ON POSSIBLE RESTRICTIONS OR NECESSARY AUTHORIZATIONS BEFORE USING THIS WIRELESS DEVICE.	

## INTRODUCTION

Thank you for choosing this EIKON product and for your trust in our brand, synonymous of professionalism, accuracy, high quality and reliability. All our products are CE approved and designed for continuous use in professional systems.

## DESCRIPTION

The WM700 Wireless Microphone System is a UHF PLL controlled frequency device, which provides a reliable, high quality signal transmission.

WM700 Wireless Microphone System features 4 units: WM700 single channel receiver, WM700D dual channel receiver, WM7M handheld transmitter and WM7H body pack transmitter. The system is available in different configurations, each of them including an ABS carrying case:

**WM700M:** WM700D + WM7M

**WM700H:** WM700D + WM7H + lavalier + headset

**WM700DM:** WM700D + 2 x WM7M

**WM700DH:** WM700D + 2 x WM7H + 2 x lavalier + 2 x headset

1	825.000	2	825.700	3	827.300	4	831.200
5	824.500	6	826.100	7	826.600	8	827.700
9	828.300	10	828.700	11	829.200	12	829.600
13	830.000	14	830.400	15	830.800	16	831.700

Sixteen frequencies are available which have been accurately selected to allow the simultaneous use of 4 frequency without interference between them:

## WM700 / WM700D RECEIVER

See FIG. 1 at page 15:

1. DC IN  
Socket for the AC/DC adaptor connection, use only the adaptor supplied with the system.
2. OUTPUT (UNBALANCED)  
Unbalanced output with line level: connect it through a mono 6.3mm jack cable to a mixer input.
3. OUTPUT (BALANCED)  
Balanced output with mic level: connect it through a XLR cable to a mixer input.
4. POWER  
On/off switch.
5. VOLUME (channel A or B)  
Volume potentiometer: set this control to a proper level that doesn't saturate the mixer input channel.
6. IR  
Keep this button pressed until the IR))) symbol lighted states, in this moment you can synchronize the frequency between the transmitter and the receiver.
7. IR port
8. SET (channel A or B)  
Keep this button pressed until the number flashes and then push it again to set the frequency (1 – 8) CH A ; (9 – 16) CH B .
9. Display (channel A or B)  
The display shows the frequency number (1 – 8) (9 – 16), that must correspond to the frequency set on the transmitter. In this label, together with the general data of the receiver, you can find the receiving

radio frequency band.

#### 10. ANTENNA

These are the receiving antennas. Raise them up during the use and, to obtain a better reception, place the receiver away from other metal objects and no more distant than 30m from the transmitter.

### **WM7M HANDHELD TRANSMITTER**

See FIG. 2 at page 16:

#### 1. MICROPHONE GRID

The grid protects the microphone capsule and include a pop filter. Type of microphone capsule is dynamic with a cardioid unidirectional figure.

#### 2. IR Sync

Infrared port to synchronize the frequency between receiver and transmitter

#### 3. Power switch

holding down the button for one second the screen lights up and the microphone enters transmission mode. Pressing the button for one second the word OFF appears on the screen and the transmitter turns off.

#### 4. FREQUENCY NUMBER

The display shows the frequency and channel number, that must correspond to the frequency set on the receiver. Note: when a flashing [LO] text appears, the batteries are near to be exhaust, to indicate that they must be replaced as soon as possible.

#### 5. BATTERIES COVER

Sliding down the lower part of the microphone body you can access to the battery inlet.

#### 6. BATTERIES INLET

To operate the microphone needs 2 type AA alkaline batteries.

Note: the microphone is able to operate also with 2 Ni-MH rechargeable batteries, but in this case the operating time is less.

#### 7. FREQUENCY

On the back side of the batteries inlet an adhesive shows the frequency band of the transmitter.

### **WM7H BODYPACK TRANSMITTER**

See FIG. 3 at page 16:

#### 1. AUDIO INPUT

3,5mm mini jack input socket to connect the supplied microphones.

#### 2. OFF MUTE ON

On/off switch, downward the microphone is off, upward the microphone is on. There is a middle position where the microphone is turned on but it is muted, useful in case you don't want to hear the typical switching on/off click.

#### 3. ANTENNA

This is the transmitting integral antenna: do not force, try to disconnect, or replace with other one.

#### 4. IR

Infrared port to synchronize the frequency between receiver and bodypack transmitter

#### 5. FREQUENCY NUMBER

The display shows the frequency number, that must correspond to the frequency set on the receiver.

Note: when a flashing [LO] text appears, the batteries are near to be exhaust, to indicate that they must be replaced as soon as possible.

#### 6. BATTERIES COVER

Sliding down the lower part of the bodypack you can access to the battery inlet.

#### 7. SET BUTTONS

Up and down buttons to manually set the transmitting frequency. **IMPORTANT: be sure to not select the same frequency on the two transmitters belonging to the same system because this will cause interferences and malfunctioning. To set the distance of at least 500 kHz between two transmitters**

#### 8. GAIN

Using a PH1 Phillips screwdriver and rotating this trimmer is possible to optimize the gain of the microphone before its signal is transmitted. Rotate it clockwise if you want a higher gain (speaking) or rotate it counter-clockwise if you want a lower gain (singing).

#### 9. SENSITIVITY

Select between the two inputs sensitivity:

- L position = LOW usually used with instruments.
- H position = HIGH usually used for the Headset and Lavalier microphones like those supplied.

#### 10. BATTERIES INLET

To operate the microphone needs 2 type AA alkaline batteries.

Note: the microphone is able to operate also with 2 Ni-MH rechargeable batteries, but in this case the operating time is less.

#### 11. CLIP

Clip to hook the Bodypack to the belt.

#### 12. FREQUENCY

On the back side of bodypack an adhesive shows the frequency band of the transmitter.

## TECHNICAL SPECIFICATION

<b>WM700-WM700D – UHF PLL Receiver</b>		Spurious Emission	under limits EN 300422
RF Frequency Band	UHF: 823-832 MHz	Frequency Response	50 Hz – 15 KHz (±3 dB)
RF Sensibility	-105 dBm	Power Supply	2x1.5V AA alkaline bat
RF Image/Spurious Rej.	>70 dB	Dimensions	23.5 x 5 x 5 cm
RF Interference Reject.	>70 dB		
RF Frequency Stability	±0.002%	<b>WM7H – Bodypack UHF PLL Transmitter</b>	
THD Distortion	<1%	RF Frequency Band	UHF: 823-832 MHz
S/N Ratio	>105 dB	RF Power	<10 dBm
Frequency Response	50 Hz – 15 KHz (±3 dB)	Modulation method	FM (F3E)
Power Supply	5 V DC 500 mA	RF Max deviation	±40 KHz
Dimensions	17.5 x 13.5 x 4.5 cm	RF Frequency Stability	±0.002%
		Spurious Emission	under limits EN 300422
<b>WM7M – Handheld UHF PLL Transmitter</b>		Frequency Response	50 Hz – 15 KHz (±3 dB)
RF Frequency Band	UHF: 823-832 MHz	Included Microphones:	2
RF Power	<10 dBm	HCM25 Headset Mic.	Cond. Cardioid
Modulation method	FM (F3E)	LCH100 Lavalier Mic.	Cond. Cardioid
RF Max deviation	±40 KHz	Power Supply	2x1.5V AA alkaline bat
RF Frequency Stability	±0.002%	Dimensions	10 x 6.5 x 3 cm

**EIKON**



TRATTAMENTO DEL DISPOSITIVO ELETTRICO OD ELETTRONICO A FINE VITA.....	9
AVVERTENZE PER LA SICUREZZA .....	9
IN CASO DI GUASTO.....	10
IMBALLAGGIO, TRASPORTO E RECLAMI.....	10
GARANZIE E RESI.....	10
MANUTENZIONE E LIMITAZIONI D'USO .....	10
ALIMENTAZIONE.....	10
AVVERTENZE PER L'UTILIZZO E CONFORMITÀ CE .....	11
INTRODUZIONE.....	12
DESCRIZIONE .....	12
RICEVITORE WM700.....	12
TRASMETTITORE A MANO WM7M.....	13
TRASMETTITORE BODYPACK WM7H.....	13
CARATTERISTICHE TECNICHE.....	14

## TRATTAMENTO DEL DISPOSITIVO ELETTRICO OD ELETTRONICO A FINE VITA



Il marchio riportato sul prodotto o sulla documentazione indica che il prodotto non deve essere smaltito con altri rifiuti domestici al termine del ciclo di vita. Per evitare eventuali danni all'ambiente si invita l'utente a separare questo prodotto da altri tipi di rifiuti e di riciclarlo in maniera responsabile per favorire il riutilizzo sostenibile delle risorse materiali. Gli utenti domestici sono invitati a contattare il rivenditore presso il quale è stato acquistato il prodotto o l'ufficio locale preposto per tutte le informazioni relative alla raccolta differenziata e al riciclaggio per questo tipo di prodotto. Gli utenti aziendali sono invitati a contattare il proprio fornitore e verificare i termini e le condizioni del contratto di acquisto. Questo prodotto non deve essere smaltito unitamente ad altri rifiuti commerciali.

## AVVERTENZE PER LA SICUREZZA

- **ATTENZIONE** - Prima di utilizzare il prodotto, si prega di leggere attentamente le seguenti istruzioni per la sicurezza. Prendere visione del manuale d'uso e conservarlo per successive consultazioni. Durante l'uso di un prodotto elettrico devono essere sempre prese precauzioni di base onde evitare danni a cose o persone, incluse le seguenti:
- In presenza di bambini, controllare che il prodotto non rappresenti un pericolo.
- Posizionare l'apparecchio al riparo dagli agenti atmosferici e a distanza di sicurezza dall'acqua, dalla pioggia e dai luoghi ad alto grado di umidità.
- Collocare o posizionare il prodotto lontano da fonti di calore quali radiatori, griglie di riscaldamento e ogni altro dispositivo che produca calore.
- Evitare che qualsiasi oggetto o sostanza liquida entri all'interno del prodotto.
- Il prodotto deve essere connesso esclusivamente alla alimentazione elettrica delle caratteristiche descritte nel manuale d'uso o scritte sul prodotto.

## **IN CASO DI GUASTO**

- In caso di guasto o manutenzione questo prodotto deve essere ispezionato da personale qualificato quando:
  - Sostanze liquide sono penetrate all'interno del prodotto.
  - Il prodotto è caduto e si è danneggiato.
  - Il prodotto non funziona normalmente esibendo un marcato cambio di prestazioni.
- Non intervenire sul prodotto.
- Rivolgersi a un centro di assistenza autorizzato Proel.

## **IMBALLAGGIO, TRASPORTO E RECLAMI**

- L'imballo è stato sottoposto a test di integrità secondo la procedura ISTA 1A. Si raccomanda di controllare il prodotto subito dopo l'apertura dell'imballo.
- Se vengono riscontrati danni informare immediatamente il rivenditore. Conservare quindi l'imballo completo per permetterne l'ispezione.
- Proel declina ogni responsabilità per danni causati dal trasporto.
- Le merci sono vendute "franco nostra sede" e viaggiano sempre a rischio e pericolo del distributore.
- Eventuali avarie e danni dovranno essere contestati al vettore. Ogni reclamo per imballi manomessi dovrà essere inoltrato entro 8 giorni dal ricevimento della merce.

## **GARANZIE E RESI**

- I Prodotti Proel sono provvisti della garanzia di funzionamento e di conformità alle proprie specifiche, come dichiarate dal costruttore.
- La garanzia di funzionamento è di 24 mesi dopo la data di acquisto. I difetti rilevati entro il periodo di garanzia sui prodotti venduti, attribuibili a materiali difettosi o difetti di costruzione, devono essere tempestivamente segnalati al proprio rivenditore o distributore, allegando evidenza scritta della data di acquisto e descrizione del tipo di difetto riscontrato. Sono esclusi dalla garanzia difetti causati da uso improprio o manomissione. Proel SpA constata tramite verifica sui resi la difettosità dichiarata, correlata all'appropriato utilizzo, e l'effettiva validità della garanzia; provvede quindi alla sostituzione o riparazione dei prodotti, declinando tuttavia ogni obbligo di risarcimento per danni diretti o indiretti eventualmente derivanti dalla difettosità.

## **MANUTENZIONE E LIMITAZIONI D'USO**

- Pulire il prodotto unicamente con un panno asciutto.
- I Prodotti Proel sono destinati esclusivamente ad un utilizzo specifico di tipo sonoro: segnali di ingresso di tipo audio (20Hz-20kHz). Proel declina ogni responsabilità per danni a terzi causati da mancata manutenzione, manomissioni, uso improprio o installazione non eseguita secondo le norme di sicurezza.
- Proel S.p.A. si riserva di modificare il prodotto e le sue specifiche senza preavviso.
- Proel S.p.A. declina ogni responsabilità per danni a terzi causati da mancata manutenzione, manomissioni, uso improprio o installazione non eseguita secondo le norme di sicurezza e a regola d'arte.

## **ALIMENTAZIONE**

- Il prodotto deve essere connesso esclusivamente alla alimentazione elettrica delle caratteristiche descritte nel manuale d'uso o scritte sul prodotto.
- Se la spina in dotazione non combacia con la presa, rivolgersi ad un elettricista per far installare una presa appropriata.

# **EIKON**

- Quando si scollega l'apparato alla rete tenere saldamente sia la spina che la presa.
- Quando l'unità non viene utilizzata per un periodo prolungato, interrompere l'alimentazione estraendo la spina dalla presa dell'alimentazione.
- Per evitare danni alla linea d'alimentazione dell'apparato, non mettere in trazione il cavo d'alimentazione e non utilizzare un cavo attorcigliato.
- Per evitare il danneggiamento del cavo d'alimentazione dell'apparato, assicurarsi che questo non venga calpestato o schiacciato da oggetti pesanti.

## AVVERTENZE PER L'UTILIZZO E CONFORMITÀ CE

- Questo apparecchio potrebbe essere in grado di funzionare a frequenze non autorizzate nella nazione e/o regione in cui si trova l'utente, vedi tabella sottostante.
- La Proel S.p.A dichiara che Il radio-microfonico EIKON è conforme alla direttiva 2014 / 30/ EU Direttiva EMC & 2014 /35 / EU Direttiva LVD.
- La Proel S.p.A dichiara che Il radio-microfonico EIKON è conforme ai requisiti essenziali ed alle altre disposizioni pertinenti stabilite dalla direttiva RED 2014 /53 / EU.
- La dichiarazione di conformità completa e dettagliata può essere consultata sul sito:  
[www.eikon-audio.com](http://www.eikon-audio.com)

<b>TABELLA FREQUENZE AUTORIZZATE PER IL RADIO MICROFONO WM700D IN EUROPA</b>	
CODICE NAZIONE	FREQUENZE DI TRASMISSIONE WM7H / WM7M: 823 ~ 832 Mhz
CZ DK EE DE HU PL FI SE IS FR BE NL CH	Duplex Gap License free
HR AT GB ES PT IT SK LT EL CY NO BG RO SI MT UA	licenza richiesta *
RU TR LV IE LU BY	*
IN QUALSIASI NAZIONE L'USO DEI RADIOMICROFONI È SUBORDINATO AD EVENTUALI RADIOTRASMISSIONI TELEVISIVE	
* RIFERIRSI SEMPRE ALLE AUTORITÀ NAZIONALI DELLE FREQUENZE DEL PROPRIO PAESE PER INFORMAZIONI SULLE DISPOSIZIONI DELLE FREQUENZE AUTORIZZATE E PER IL LORO USO A NORMA DI LEGGE	

## INTRODUZIONE

Grazie per aver scelto un prodotto EIKON e della fiducia riposta nel nostro marchio, sinonimo di professionalità, accuratezza, elevata qualità ed affidabilità. Tutti i nostri prodotti sono conformi alle normative CE per utilizzazione continua in impianti di diffusione sonora.

## DESCRIZIONE

I radiomicrofoni WM700 sono sistemi UHF a frequenza controllata PLL a doppio canale, caratterizzati da una trasmissione affidabile e di ottima qualità.

Il sistema radio microfonico WM700 è composto da 4 parti: ricevitore WM700 singolo canale, ricevitore WM700D a doppio canale, trasmettitore a mano WM7M e trasmettitore tascabile WM7H. Il sistema è disponibile in diverse configurazioni, ognuna dotata di una valigetta in ABS per il trasporto:

**WM700M:** WM700 + WM7M

**WM700H:** WM700 + WM7H + lavalier + headset

**WM700DM:** WM700D + 2 x WM7M

**WM700DH:** WM700D + 2 x WM7H + 2 x lavalier + 2 x headset

Sono disponibili sedici frequenze scelte per permettere l'uso simultaneo di 4 canali radio:

1	825.000	2	825.700	3	827.300	4	831.200
5	824.500	6	826.100	7	826.600	8	827.700
9	828.300	10	828.700	11	829.200	12	829.600
13	830.000	14	830.400	15	830.800	16	831.700

## RICEVITORE WM700D

Vedi FIG. 1 a pagina 15:

1. DC IN  
Connettore per il collegamento dell'adattatore AC/DC, usare esclusivamente l'adattatore fornito nella confezione.
2. OUTPUT (UNBALANCED)  
Uscita sbilanciata livello linea: collegare mediante un cavo jack mono 6.3mm all'ingresso del mixer.
3. OUTPUT (BALANCED)  
Uscita bilanciata livello microfono: collegare mediante un cavo XLR all'ingresso del mixer.
4. POWER  
Interruttore di accensione.
5. VOLUME  
Potenziometro del volume CH A / CH B: regolare questo potenziometro su un livello adeguato per non saturare l'ingresso del canale nel mixer.
6. IR Sync  
Tenendo premuto il pulsante ed avvicinando al ricevitore la porta dedicata del trasmettitore si attiva la sincronizzazione della frequenza. Selezionare sul ricevitore un canale, avvicinare la porta infra-red del trasmettitore alla porta IR del ricevitore, premere il pulsante IR fino a quando non compare sullo schermo LCD il segnale lampeggiante IR))), controllare che il trasmettitore mostri la frequenza impostata sul ricevitore.
7. IR Port  
Porta Infra Red
8. SET (canale A o B)  
Tenere premuto questo tasto fino a quando il numero del CH lampeggia, premere i tasti up- down per

# EIKON

selezionare la frequenza di ricezione.

9. Display

Il display LCD visualizza le principali informazioni frequenza di ricezione CH A: (1 – 8); CH B (9 – 16), stato del Canale (mute), livello RF, Livello Audio, IR sync, Livello di carica della batteria.

10. ANTENNA

Queste sono le antenne di ricezione, alzarle in posizione verticale durante l'uso. Per una migliore ricezione posizionare il ricevitore lontano da altri oggetti metallici e a non più di 30m dal trasmettitore ed evitare di frapporre ostacoli tra gli apparati.

## TRASMETTITORE A MANO WM7M

Vedi FIG. 2 a pagina 16:

1. GRIGLIA MICROFONO

La griglia protegge la capsula microfonica e incorpora un filtro anti-pop. La capsula microfonica è di tipo dinamico con figura a cardiode unidirezionale.

2. IR Port

Porta Infra Red

3. ON OFF

Interruttore di accensione: tenendo premuto il pulsante per qualche istante lo schermo si illumina e il microfono entra in modalità trasmissione. Premendo il pulsante per un secondo sullo schermo appare la scritta OFF ed il trasmettitore si spegne.

4. NUMERO FREQUENZA

Il display visualizza la frequenza (1 – 16), che deve corrispondere alla stessa impostata nel ricevitore e lo stato di carica delle batterie. **NOTA:** Quando il simbolo della batteria lampeggia, le batterie stanno esaurendosi ed occorre sostituirle al più presto.

5. COPERCHIO VANO BATTERIE

Facendo scorrere la parte bassa del microfono si accede al vano batterie.

6. VANO BATTERIE

Per funzionare il microfono necessita di 2 batterie tipo AA tipo alcalino.

Nota: il microfono è in grado di funzionare anche con due batterie ricaricabili al Ni-MH, ma in tal caso la durata del funzionamento è più breve.

7. FREQUENZA

Sul retro del vano batteria è indicata la banda di frequenze del trasmettitore.

## TRASMETTITORE BODYPACK WM7H

Vedi FIG. 3 a pagina 16:

1. INGRESSO AUDIO

Ingresso mini-jack da 3,5mm per il collegamento al trasmettitore del microfono in dotazione.

2. OFF MUTE ON

Interruttore di accensione: se posizionato tutto a sinistra il microfono è spento, se posizionato tutto a destra il microfono è acceso. C'è una posizione intermedia in cui il microfono resta acceso ma in modalità silenziosa (mute), utile nel caso non si voglia far udire il tipico rumore di accensione/spegnimento.

3. ANTENNA

Questa è l'antenna integrata: non forzarla, non cercare di scollegarla o sostituirla con un'altra.

4. IR sync

Porta Infra Red

5. COPERCHIO VANO BATTERIE

Facendo scorrere la parte bassa del Bodypack si accede al vano batterie.

Il display visualizza la frequenza (1 – 16), che deve corrispondere alla stessa impostata nel ricevitore.

NOTA: Quando il testo [LO] lampeggiante appare, le batterie stanno esaurendosi ed occorre sostituirle al più presto.

#### 6. TASTI SET

Tasti su e giù per impostare manualmente il canale di trasmissione. **IMPORTANTE: accertatevi di non selezionare la stessa frequenza nei due trasmettitori appartenenti allo stesso sistema, perchè questo può causare interferenze a malfunzionamenti. Settare le frequenze ad una distanza minima di 500Khz.**

#### 7. GAIN

Agendo con un cacciavite a croce PH1 su questo trimmer è possibile ottimizzare il guadagno del microfono prima che il suo segnale sia trasmesso, ruotarlo in senso orario se si vuole un maggior guadagno (parlato) o in senso antiorario se si vuole un minor guadagno (cantato).

#### 8. SENSIBILITÀ

Seleziona tra due sensibilità di ingresso:

- posizione L = LOW (bassa) tipica per strumenti
- posizione H = HIGH (alta) tipica per i microfoni Headset e Lavalier come quelli in dotazione

#### 9. VANO BATTERIE

Per funzionare il microfono necessita di 2 batterie tipo AA tipo alcalino.

Nota: il microfono è in grado di funzionare anche con due batterie ricaricabili al Ni-MH, ma in tal caso la durata del funzionamento è più breve.

#### 10. CLIP

Clip per agganciare il Bodypack alla cintura.

#### 11. FREQUENZA

Sul retro del Bodypack è indicata la banda di frequenze del trasmettitore.

#### 12. NUMERO FREQUENZA

Il display visualizza la frequenza (1 – 16), che deve corrispondere alla stessa impostata nel ricevitore e lo stato di carica delle batterie. NOTA: Quando il simbolo della batteria lampeggia, le batterie stanno esaurendosi ed occorre sostituirle al più presto.

## CARATTERISTICHE TECNICHE

<b>WM700-WM700D – Ricevitore UHF PLL</b>		Emissione spurie	sotto i limiti EN 300422
Banda di frequenza RF	UHF: 823-832 MHz	Risposta in frequenza	50 Hz – 15 KHz (±3 dB)
Sensibilità RF	-105 dBm	Alimentazione	2x1.5V AA alkaline bat
Reiezione immagine RF	>70 dB	Dimensioni	23.5 x 5 x 5 cm
Reiez. Interferenza RF	>70 dB		
Stabilità frequenza RF	±0.002%	<b>WM7H – Trasmettitore body pack UHF PLL</b>	
THD Distortion	<1%	Banda di frequenza RF	UHF: 823-832 MHz
Rapporto S/N	>105 dB	Potenza RF	<10 dBm
Risposta in frequenza	50 Hz – 15 KHz (±3 dB)	Tipo di modulazione	FM (F3E)
Alimentazione	5 V DC 500 mA	Modulazione RF max	±40 KHz
Dimensioni	17.5 x 13.5 x 4.5 cm	Stabilità frequenza RF	±0.002%
		Emissione spurie	sotto i limiti EN 300422
<b>WM7M – Trasmettitore a mano UHF PLL</b>		Risposta in frequenza	50 Hz – 15 KHz (±3 dB)
Banda di frequenza RF	UHF: 823-832 MHz	Microfoni in dotazione:	2
Potenza RF	<10 dBm	Mic. HCM25 headset	Cond. Cardiode
Tipo di modulazione	FM (F3E)	Mic. LCH100 lavalier	Cond. Cardiode
Modulazione RF max	±40 KHz	Alimentazione	2x1.5V AA alkaline bat
Stabilità frequenza RF	±0.002%	Dimensioni	10 x 6.5 x 3 cm

FIG. 2

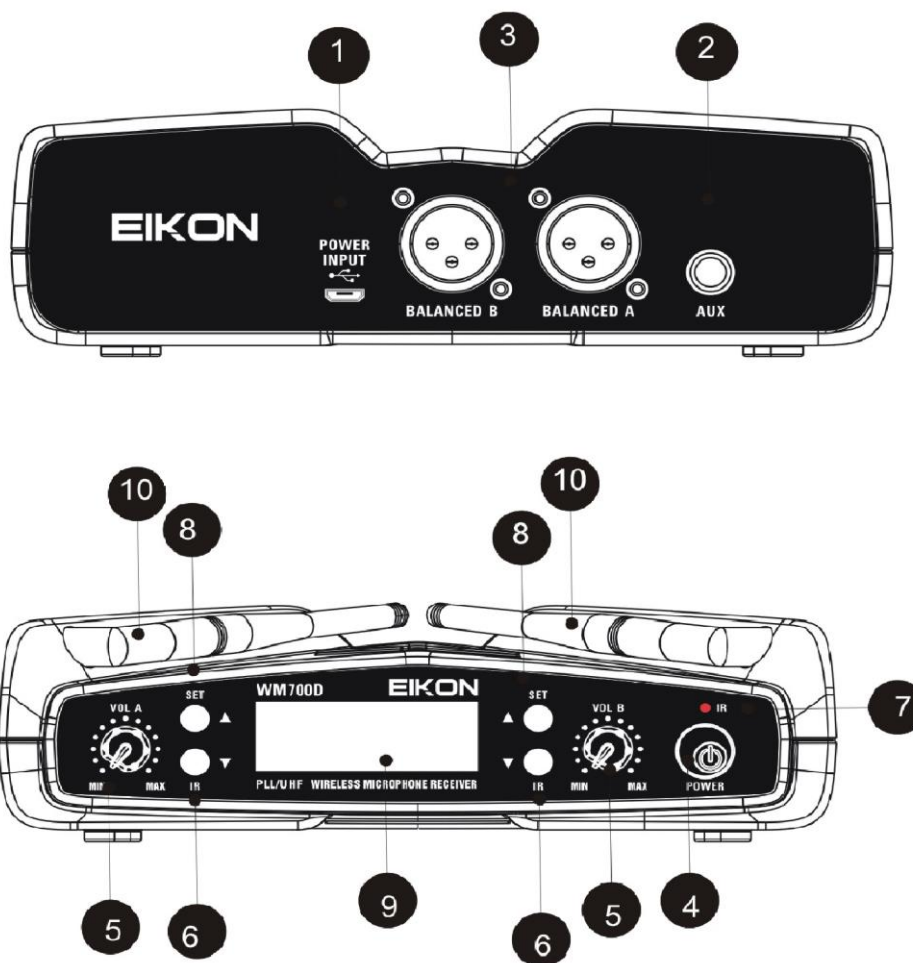
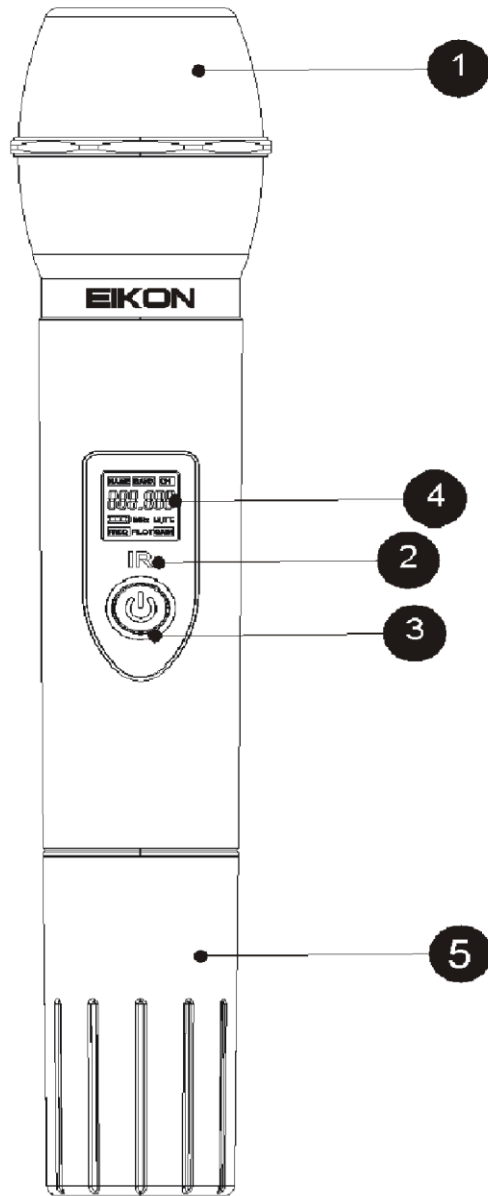


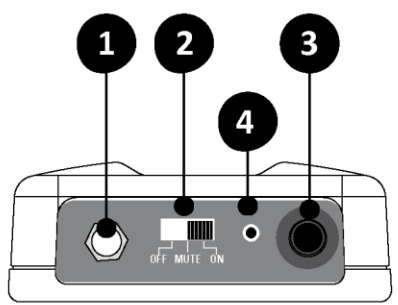
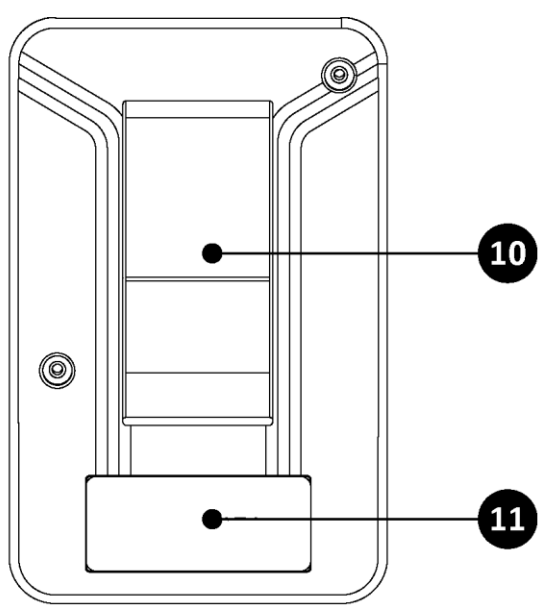
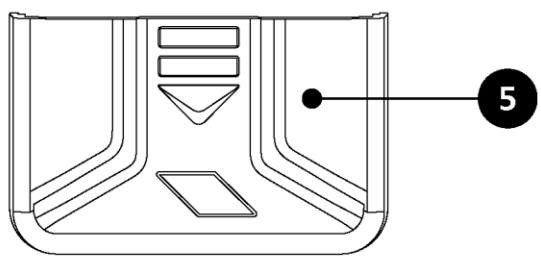
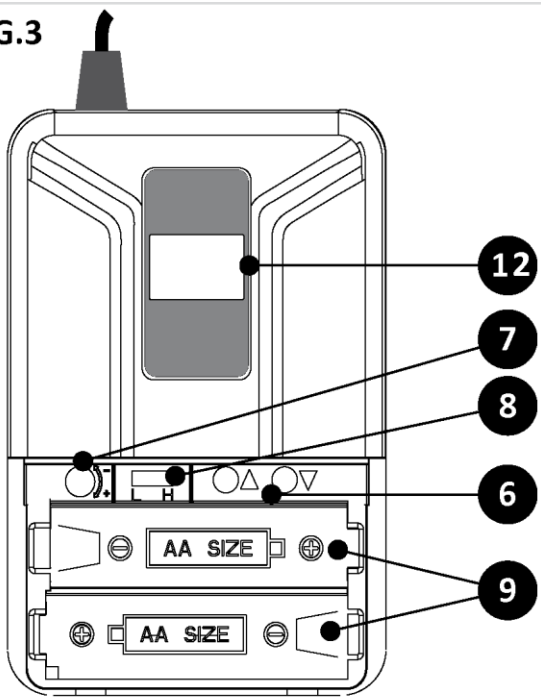
FIG.2



**EIKON**



FIG.3



**MICROPHONES**  
(supplied with bodypack)  
**MICROFONI**  
(forniti con il bodypack)

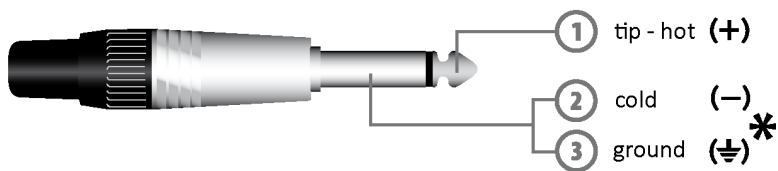
HCM25  
Headset



LCH 100  
Lavalier



## Connections and cables

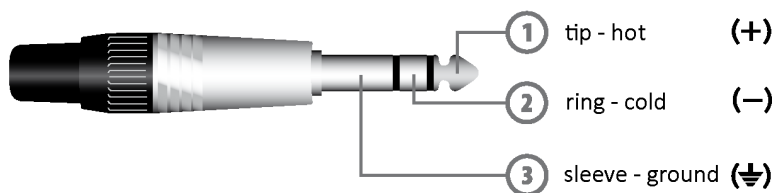


Jack (unbalanced)

\*note: connect both cold and ground to make cable from balanced to unbalanced

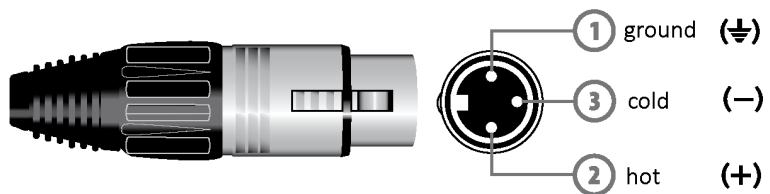
Jack (sbilanciato)

\*nota: connettere insieme cold e ground per cavi da bilanciato a sbilanciato



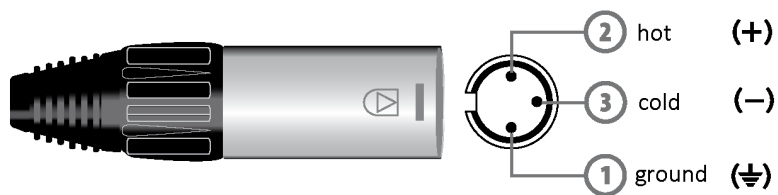
Jack (balanced)

Jack (bilanciato)



Balanced female XLR

XLR bilanciato femmina



Balanced male XLR

XLR bilanciato maschio



# EIKON

IS A BRAND OF

**PROEL S.p.A.**

(World Headquarters - Factory)

Via alla Ruenia 37/43

64027 Sant'Omero (Te) – Italy

Tel: +39 0861 81241

Fax: +39 0861 887862

[www.eikon-audio.com](http://www.eikon-audio.com)

# EIKON